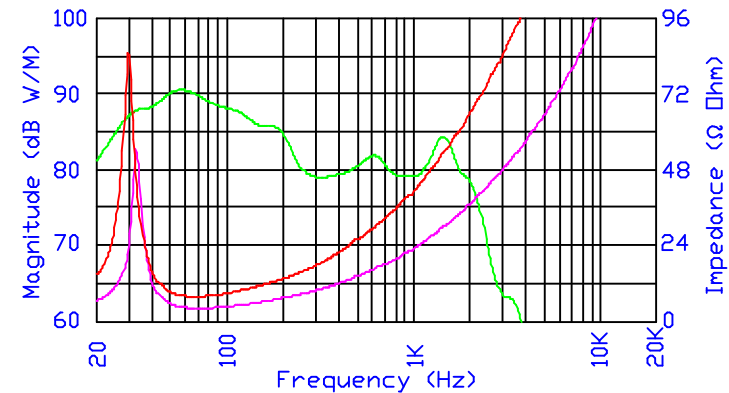
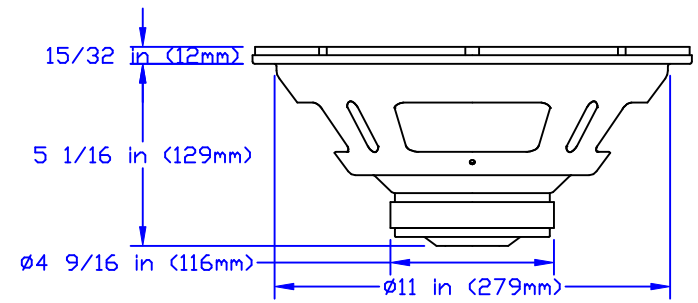
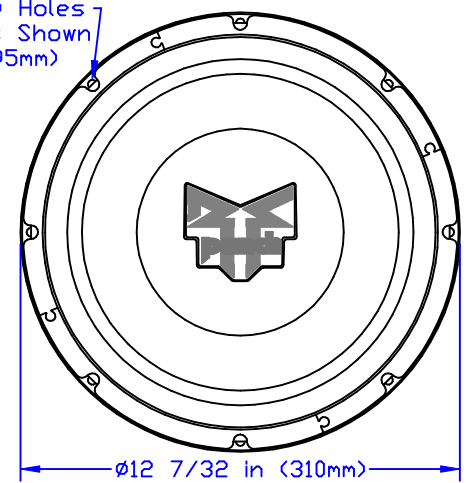


TECHNICAL DATA	RFZ1412	RFZ1812
Nominal Diameter	12 in [305 mm]	12 in [305 mm]
Magnet Weight	25.7oz [729g]	25.7oz [729g]
Frequency Range	28-400Hz	30-400Hz
Nominal Impedance	4 Ohms	8 Ohms
DC Resistance (Re)	3.2 Ohms	6.4 Ohms
Resonance Frequency (fs)	28Hz	30Hz
Mechanical Q Factor (Qms)	10.26	9.91
Electrical Q Factor (Qes)	0.53	0.63
Total Q Factor (Qts)	0.49	0.59
Effective Cone Area (Sd)	83.70 in ² [.054m ²]	83.70 in ² [.054m ²]
Equivalent Air Volume (Vas)	4.451 ft ³ [126L]	4.451 ft ³ [126L]
Compliance (Cms)	3.04E-04 M/N	3.04E-04 M/N
Moving Mass (Mms)	3.386oz [96g]	3.104oz [88g]
Voice Coil Diameter	1.5 in [38.1 mm]	1.5 in [38.1 mm]
Voice Coil Winding Width	.815 in [21 mm]	.827 in [21 mm]
Voice Coil Former Material	5 Mil Aluminum	5 Mil Aluminum
Voice Coil Inductance	4.2mH	6.8mH
Force Factor (BL)	10.08Tm	12.81Tm
Linear Excursion (Xmax)	.28 in [7 mm]	.28 in [7 mm]
Sensitivity (Spl)	90dB	90dB
Operating Power (Pe)	100W RMS	100W RMS
Specifications May Vary Per Manufacturing Tolerances And Are Subject To Improvement Without Notice. Frequency Response Curve Shown Represents Both 4Ω And 8Ω Units. Upper (Red) Impedance Curve For 8Ω Unit; Lower (Magenta) Impedance Curve For 4Ω Unit.		

(8) $\phi 1/4$ in (6.4mm) Holes
Equally Spaced As Shown
On $\phi 11 \ 5/8$ in (295mm)
Mtg Dia.



PRODUCT(S):	RFZ1412/RFZ1812	RELEASE:	#1
DATE: NOV 23, 1998	TOLERANCE: N/A	SCALE: 3/16xFULL	DRWN BY:
PART NAME:	12 IN PUNCH RFZ WOOFER	APPR BY:	



Rockford Acoustic Designs
609 Myrtle North West
Grand Rapids, MI 49504
Phone: 616-456-9528
Fax: 616-456-5648

AutoCad R.14